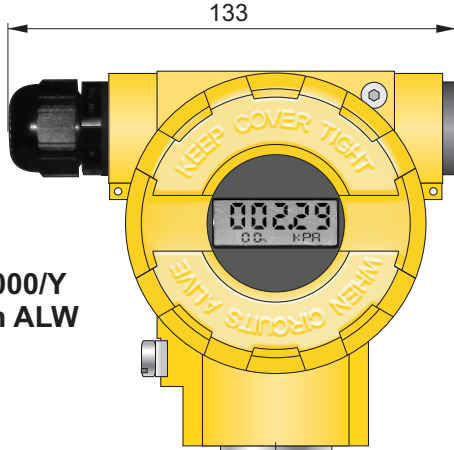


# Smart level probe for pressure tanks APR-2000YALW



**APR-2000/Y  
version ALW**

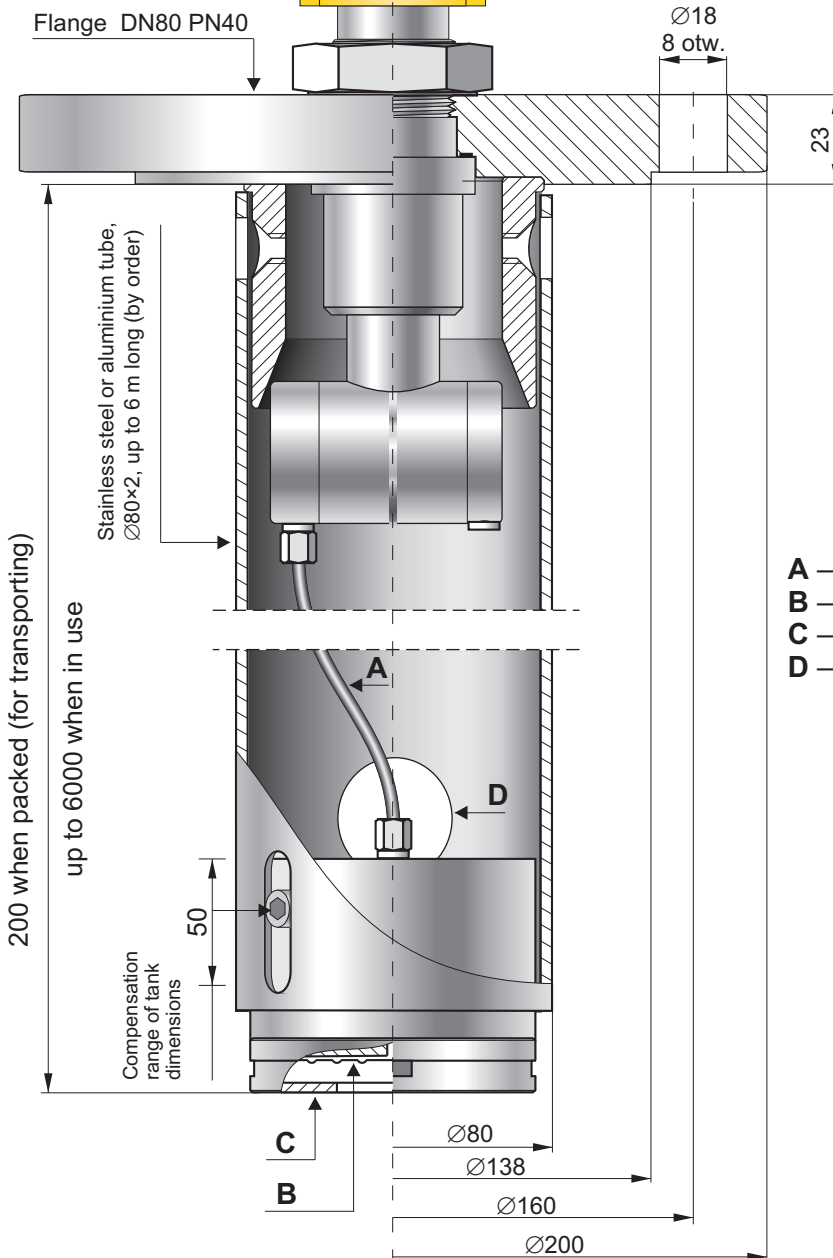


- ✓ Tank depth up to 6 m
- ✓ Accuracy 0.16%
- ✓ 4...20 mA output signal + Hart
- ✓ Intrinsic safety certificate (ATEX, IECEx)

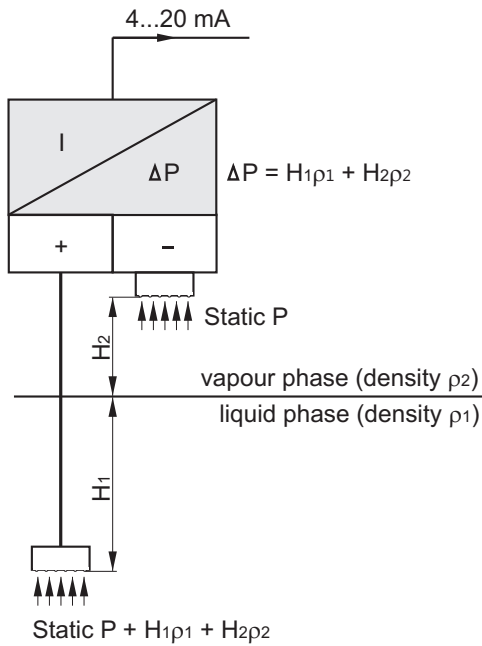
Ex	II 1/2G Ex ia IIC T4/T5 Ga/Gb	Ex ia IIC T4/T5 Ga/Gb
	I M1 Ex ia I Ma (only version with SS housing)	IECEx Ex ia I Ma (only version with SS housing)
	II 1D Ex ia IIIC T105 C Da	Ex ia IIIC T105 C Da

- ✓ Explosion proof certificate (ATEX, IECEx)

Ex	II 1/2G Ex ia/d IIC T5/T6 Ga/Gb	Ex ia/d IIC T5/T6 Ga/Gb
	II 1/2D Ex ia/t IIIC T85°C/T100°C Da/Db	IECEx Ex ia/t IIIC T85°C/T100°C Da/Db
	I M2 Exd ia I Mb (only version with SS housing)	Exd ia I Mb (only version with SS housing)



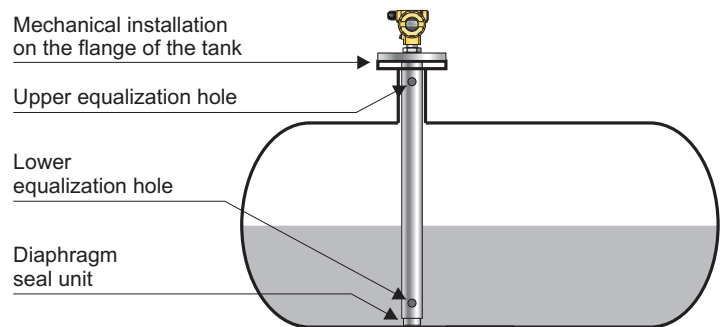
- A – Stainless steel capillary  $\varnothing 3 \times 1$
- B – Separating diaphragm
- C – Safety ring
- D – Equalization hole in screening tube



### Principles of operation

Measurement is carried out using an APRE-2000 differential pressure transmitter, enabling compensation for static pressure in the tank. The value processed is just the hydrostatic pressure of the medium measured at the level of the diaphragm of the lower seal. This pressure is the sum of the hydrostatic pressures of the liquid and vapour phases of the medium. In most practical measurement situations the density of the vapour phase is negligibly small, and therefore the measured hydrostatic pressure relates only to the height of the liquid phase column and can be taken as representing the level of the surface of the liquid phase. For media where the density of the vapour phase is significant (e.g. propane) the level found by the method described can be treated as the theoretical level of the liquid level obtained by adding the actual liquid phase to the condensed vapour phase.

### Example of installation on a tank



### Configuration example

To convert a rise in the level of liquid with density 0.87 from 0 to 3200 mm to a current change from 4 to 20 mA.

1. Install the transmitter in working position, place the seal at the appropriate height (tank empty).
2. Calculate the width of the measurement range in mm H<sub>2</sub>O (4°C): **3200 mm × 0.87 g/cm<sup>3</sup> = 2784 mm H<sub>2</sub>O.**
3. Using the communicator, set the transmitter to use the units **mm H<sub>2</sub>O at 4°C.**
4. To determine the start of the measurement range, read off via the communicator the hydrostatic pressure produced by the manometric fluid in the capillary (e.g. **-4250 mm H<sub>2</sub>O**).
5. To determine the end-point of the measurement range, add the value **-4250 mm H<sub>2</sub>O** and the width of the measurement range **-4250 mm H<sub>2</sub>O + 2784 mm H<sub>2</sub>O = -1466 mm H<sub>2</sub>O.**
6. Using the communicator enter the calculated start (**-4250 mm H<sub>2</sub>O**) and end-point (**-1466 mm H<sub>2</sub>O**) of the measurement range and send as a block to the transmitter. After receiving these parameters the transmitter will perform measurements as required.

### Technical data

No.	Nominal measuring range (FSO)	Accuracy for nominal measuring range	Minimum set range	Accuracy for minimum range
1	0...6000 mm H <sub>2</sub> O	±0,16%	600 mm H <sub>2</sub> O	±0,5%
2	0...1600 mm H <sub>2</sub> O	±0,2%	160 mm H <sub>2</sub> O	±0,6%

**Range of medium densities** up to 1,1 g/cm<sup>3</sup> (standard version)

over 1,1 g/cm<sup>3</sup>: special version by arrangement with APLISENS

**Error due to ambient temperature changes** < ±0,4% of basic range for temperatures of -25...+80°C

**Error due to supply voltage changes** < ±0,002% of basic range / V

**Zero shift error for static pressure**

0,08% / 10 bar for range no. 1

0,1% / 10 bar for range no. 2

This error can be eliminated by zeroing the transmitter in conditions of static pressure

For other technical data see the sheet for the APR-2000ALW

### Ordering procedure

**APR-2000/Y / \_\_\_ / \_\_\_ / tube ....., L = ..... mm**

Special versions:  
**Ex ia, Ex d**

Nominal measuring range

Length of tube

Material of tube: **KO** (stainless steel) or **AL** (aluminium)

**Example:** APR-2000/Y level probe, Exia version, nominal measuring range 0...-1600 mm H<sub>2</sub>O, stainless steel tube with length 1250 mm

**APR-2000/Y / Exia / 0...-1600 mm H<sub>2</sub>O / tube KO, L = 1250 mm**