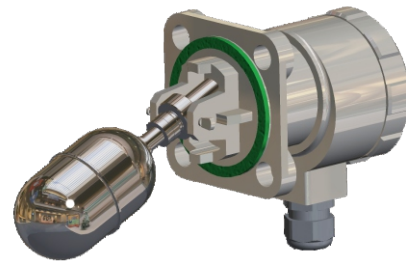


# Float level switches ERH® SMALL

## Features

- ✓ Small in-tank dimensions
- ✓ Standard square flange 92x92 or threaded connection 2" (NPT, BSPP, BSPT)
- ✓ High reliability switching
- ✓ Several options e.g. fully stainless steel, with float arms protection, IP66 or IP68, ATEX
- ✓ All types with DNV Marine Approval



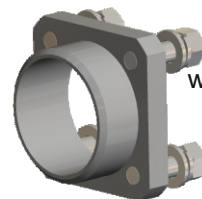
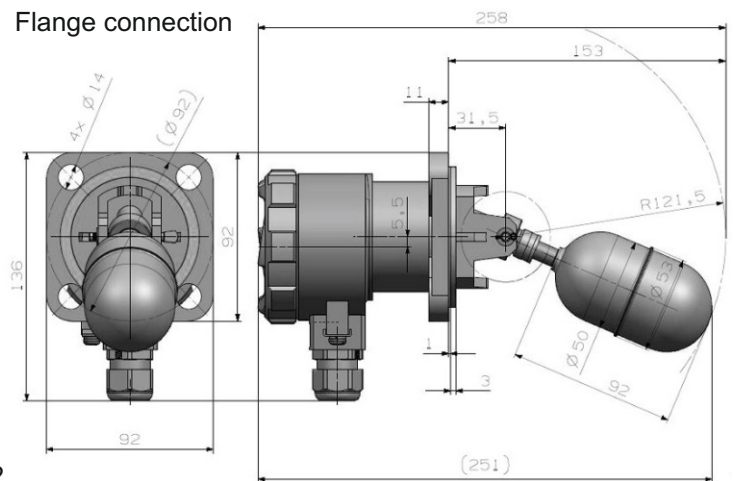
## Description

The limit level signalling or two-term liquid level control in the open or closed pressure tanks. The level switches can operate in neutral liquids, or aggressive ones not acting on stainless steel 316/316L.

## Technical data

Minimum S.G.	0,70 g/cm <sup>3</sup>
Maximum pressure	4,0 MPa
- for operation at full submersion	0,2 MPa
Operating temperature	80°C
- for operation at full submersion	70°C
Ambient temperature	-25 °C...+ 70°C
Electric rating	
- standard versions	230 V AC; 10A 220 V DC; 0,6A
- Ex versions	230 V AC; 2,5A 220 V DC; 0,3A
Hysteresis	20mm
- Ex versions	15mm
Protection enclosure	IP66
- for operation at full submersion	IP68
Process connection	square flange 92x92 or threads 2" NPT, 2" BSPP, 2" BSPT (see list on the reverse)
Wetted parts material	316L SS
Housing material	Al alloy or 316 SS (see list on the reverse)
Weight	1,8kg or 2,6kg (fully SS)

## Dimensions



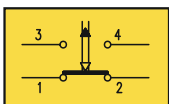
For mounting ERH-SMALL with 92x92 flange connection we suggest to use the counter flanges (optional equipment):

- ER2-1646-1 (carbon steel)
- ER2-1646-2 (stainless steel)

Screws and nuts in set.

## Microswitches

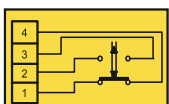
Electrical diagram standard version:  
ERH-...-06 and -07



Microswitch **83 140**  
(silver plated contacts)



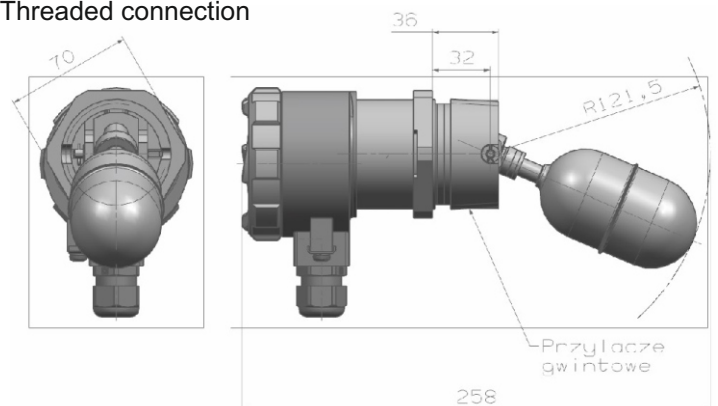
Electrical diagram Ex version:  
ERH-...-16 and -16.1



Microswitch Ex version  
**ER3-1536**

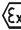


## Threaded connection



## Ordering

Code of ERH SMALL	Connection	Wetted parts	Housing	Protective Bellows	Ingress Protection	ATEX	Marine
	ERH-01-06/S	92x92 flange	316L	Al Alloy		IP66	<input checked="" type="checkbox"/>
	ERH-01-06-K/S	92x92 flange	316L	316		IP66	<input checked="" type="checkbox"/>
	ERH-01-07/S	92x92 flange	316L	Al Alloy		IP68	<input checked="" type="checkbox"/>
	ERH-01-07-K/S	92x92 flange	316L	316		IP68	<input checked="" type="checkbox"/>
	ERH-01-16/S	92x92 flange	316L	Al Alloy		IP66	<input checked="" type="checkbox"/>
	ERH-01-16-K/S	92x92 flange	316L	316		IP66	<input checked="" type="checkbox"/>
	ERH-01-16.1/S	92x92 flange	316L	Al Alloy		IP68	<input checked="" type="checkbox"/>
	ERH-01-16.1-K/S	92x92 flange	316L	316		IP68	<input checked="" type="checkbox"/>
	ERH-02-06/S	92x92 flange	316L	Al Alloy	<input checked="" type="checkbox"/>	IP66	<input checked="" type="checkbox"/>
	ERH-02-06-K/S	92x92 flange	316L	316	<input checked="" type="checkbox"/>	IP66	<input checked="" type="checkbox"/>
	ERH-02-07/S	92x92 flange	316L	Al Alloy	<input checked="" type="checkbox"/>	IP68	<input checked="" type="checkbox"/>
	ERH-02-07-K/S	92x92 flange	316L	316	<input checked="" type="checkbox"/>	IP68	<input checked="" type="checkbox"/>
	ERH-02-16/S	92x92 flange	316L	Al Alloy	<input checked="" type="checkbox"/>	IP66	<input checked="" type="checkbox"/>
	ERH-02-16-K/S	92x92 flange	316L	316	<input checked="" type="checkbox"/>	IP66	<input checked="" type="checkbox"/>
	ERH-02-16.1/S	92x92 flange	316L	Al Alloy	<input checked="" type="checkbox"/>	IP68	<input checked="" type="checkbox"/>
	ERH-02-16.1-K/S	92x92 flange	316L	316	<input checked="" type="checkbox"/>	IP68	<input checked="" type="checkbox"/>
	ERH-07-06/S	2" BSPT	316L	Al Alloy		IP66	<input checked="" type="checkbox"/>
	ERH-07-06-K/S	2" BSPT	316L	316		IP66	<input checked="" type="checkbox"/>
	ERH-07-07/S	2" BSPT	316L	Al Alloy		IP68	<input checked="" type="checkbox"/>
	ERH-07-07-K/S	2" BSPT	316L	316		IP68	<input checked="" type="checkbox"/>
	ERH-07-16/S	2" BSPT	316L	Al Alloy		IP66	<input checked="" type="checkbox"/>
	ERH-07-16-K/S	2" BSPT	316L	316		IP66	<input checked="" type="checkbox"/>
	ERH-07-16.1/S	2" BSPT	316L	Al Alloy		IP68	<input checked="" type="checkbox"/>
	ERH-07-16.1-K/S	2" BSPT	316L	316		IP68	<input checked="" type="checkbox"/>
	ERH-08-06/S	2" BSPP	316L	Al Alloy		IP66	<input checked="" type="checkbox"/>
	ERH-08-06-K/S	2" BSPP	316L	316		IP66	<input checked="" type="checkbox"/>
	ERH-08-07/S	2" BSPP	316L	Al Alloy		IP68	<input checked="" type="checkbox"/>
	ERH-08-07-K/S	2" BSPP	316L	316		IP68	<input checked="" type="checkbox"/>
	ERH-08-16/S	2" BSPP	316L	Al Alloy		IP66	<input checked="" type="checkbox"/>
	ERH-08-16-K/S	2" BSPP	316L	316		IP66	<input checked="" type="checkbox"/>
	ERH-08-16.1/S	2" BSPP	316L	Al Alloy		IP68	<input checked="" type="checkbox"/>
	ERH-08-16.1-K/S	2" BSPP	316L	316		IP68	<input checked="" type="checkbox"/>
	ERH-09-06/S	2" NPT	316L	Al Alloy		IP66	<input checked="" type="checkbox"/>
	ERH-09-06-K/S	2" NPT	316L	316		IP66	<input checked="" type="checkbox"/>
	ERH-09-07/S	2" NPT	316L	Al Alloy		IP68	<input checked="" type="checkbox"/>
	ERH-09-07-K/S	2" NPT	316L	316		IP68	<input checked="" type="checkbox"/>
	ERH-09-16/S	2" NPT	316L	Al Alloy		IP66	<input checked="" type="checkbox"/>
	ERH-09-16-K/S	2" NPT	316L	316		IP66	<input checked="" type="checkbox"/>
	ERH-09-16.1/S	2" NPT	316L	Al Alloy		IP68	<input checked="" type="checkbox"/>
	ERH-09-16.1-K/S	2" NPT	316L	316		IP68	<input checked="" type="checkbox"/>

\* ATEX  II 1/2G c Ex de IIB T4 Ga/Gb

## Order example

Fully stainless steel level switch with IP68 housing protection degree, including stainless steel counter flange:  
ERH-01-07-K/S + ER2-1646-2